

LED Module MINI



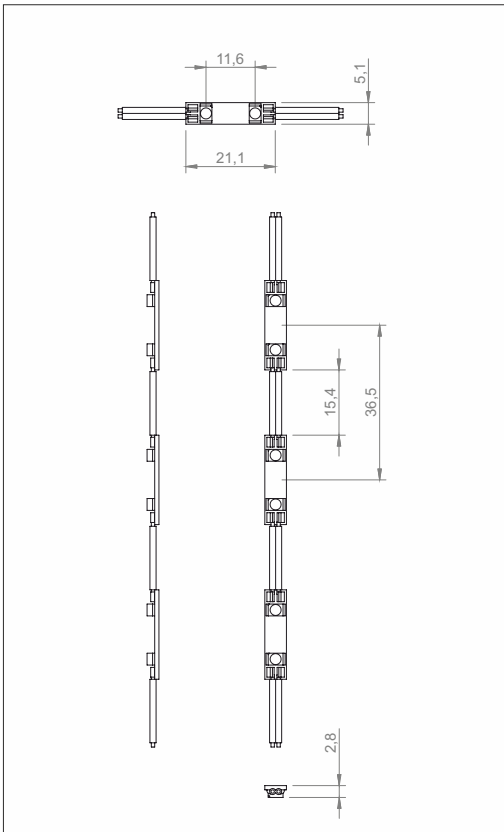
NP Lighting Gruppe

Light years ahead!

Technical Data



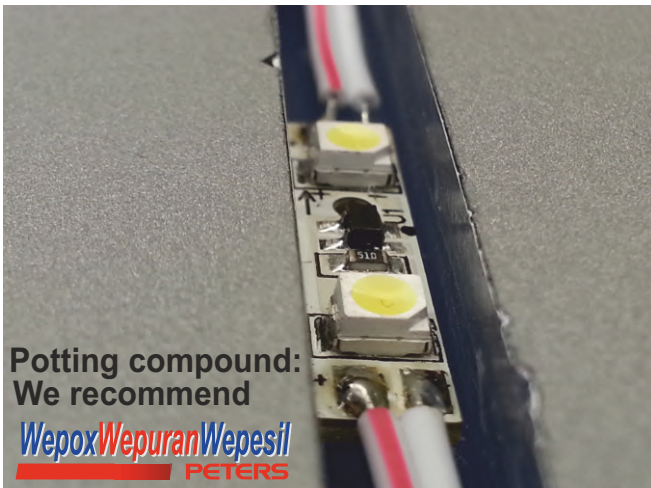
- Ultra compact design
- Very bright
- Constant current regulation
- For embedding
- Shallow mounting depth
- For narrow profile widths
- Open boards
- SMD Technology
- Patent licensed LED
- Life 30.000h
- CE marked



12V DC CE RoHS PWM CONSTANT CURRENT CONTROL IP00

Technical Data

System type	Flexible LED chain
LED Type	2 x 1 chip SMD 3528
Colours	White 6500k Other colours on request
Luminous flux White 6500 kelvin	14 lumen
Angle	120°
Switching type	12v DC parallel
Module output	0.3W
Current	25mA
Life @ 25° 45% rF	25,000 hours
Environment Protection	Ip00
Control Option	Dimming Flashing
Mounting	Suitable for potting
Operating temperature range	-25°C to +60°C
Storage temperature range	-25°C to +70°C
Dimensions	21 x 5.1 x 2.8 mm
Module Pitch	Variable max 36.5 mm
LED grid	11.6mm
Number of modules	50 pieces
Cut possibilites	1 module
Maximum modules per branch circuit	50
Cable length between modules	16mm



All data given is approximate, we reserve the right to make technical changes

LED Module MINI

[Ne⁺]

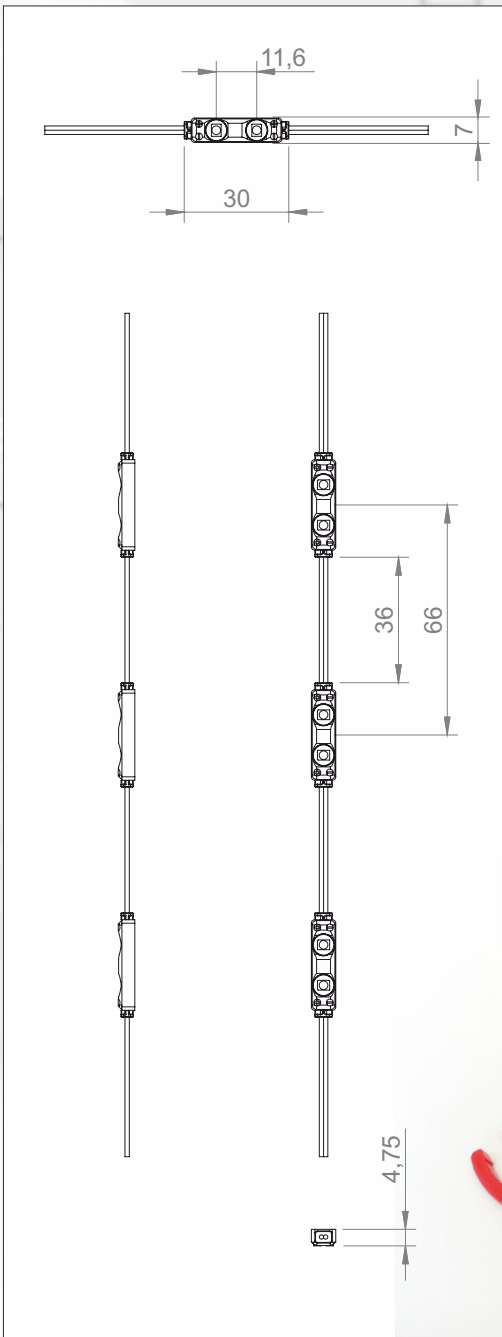
NP Lighting Gruppe

Light years ahead!

Technical Data



- Ultra compact construction
- Very bright
- Constant current regulation
- Fully sealed IP66
- Professional Design
- Shallow mounting depth
- For narrow profile widths
- For outdoor use
- SMD Technology
- Patent licensed LED technology
- Life of 30.000h
- CE marked



12V DC
CE
RoHS
PWM
CONSTANT CURRENT CONTROL
IP66

Technical Data

System type	Flexible LED chain
LED Type	2 x 1 chip SMD 3528
Colours	White 6500k Other colours on request
Luminous flux White 6500 kelvin	14 lumen
Angle	120°
Switching type	12v DC parallel
Module output	0.3W
Current	25mA
Life @ 25° 45% rF	25,000 hours
Environment Protection	Ip65
Control Option	Dimming Flashing
Mounting	Adhesive pads
Operating temperature range	-25°C to +60°C
Storage temperature range	-25°C to +70°C
Dimensions	30 x 7 x 4.8 mm
Module Pitch	Variable max 66 mm
LED grid	11.6mm
Number of modules	50 pieces
Cut possibilites	1 module
Maximum modules per branch circuit	50
Cable length between modules	36mm



Bei den angegebenen Daten handelt es sich um ca. Angaben, technische Änderungen behalten wir uns vor.